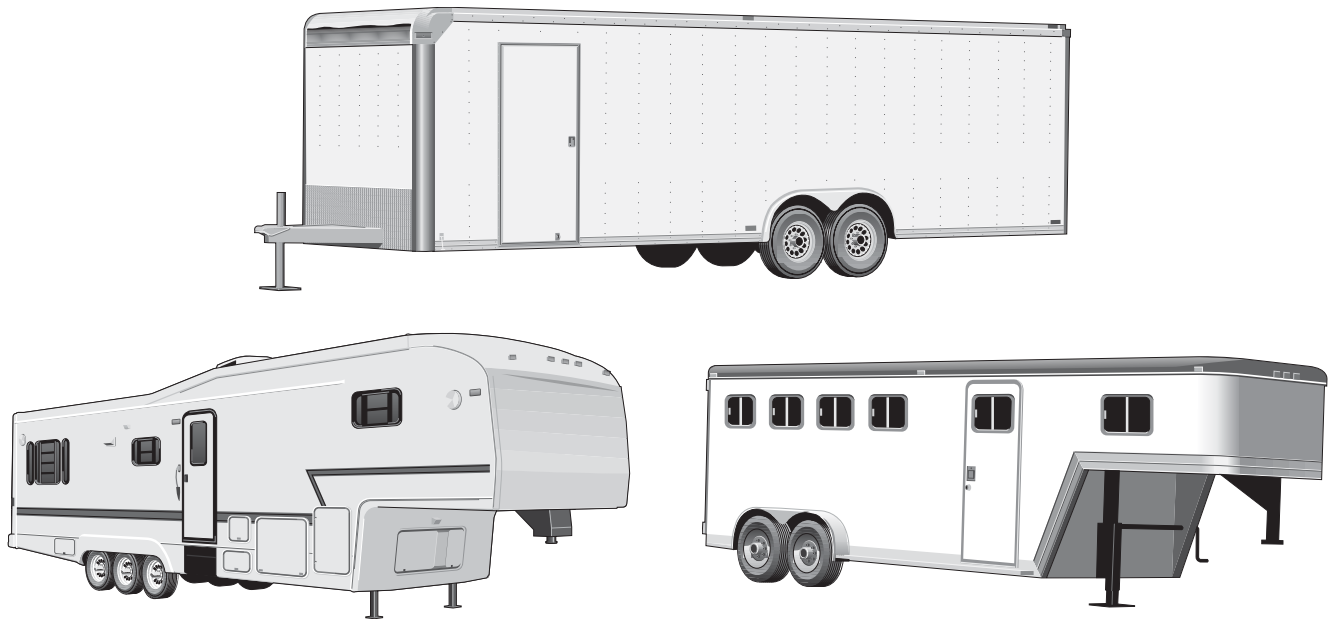


AIRFLEX™ LIGHT TRAILER SUSPENSION SYSTEM

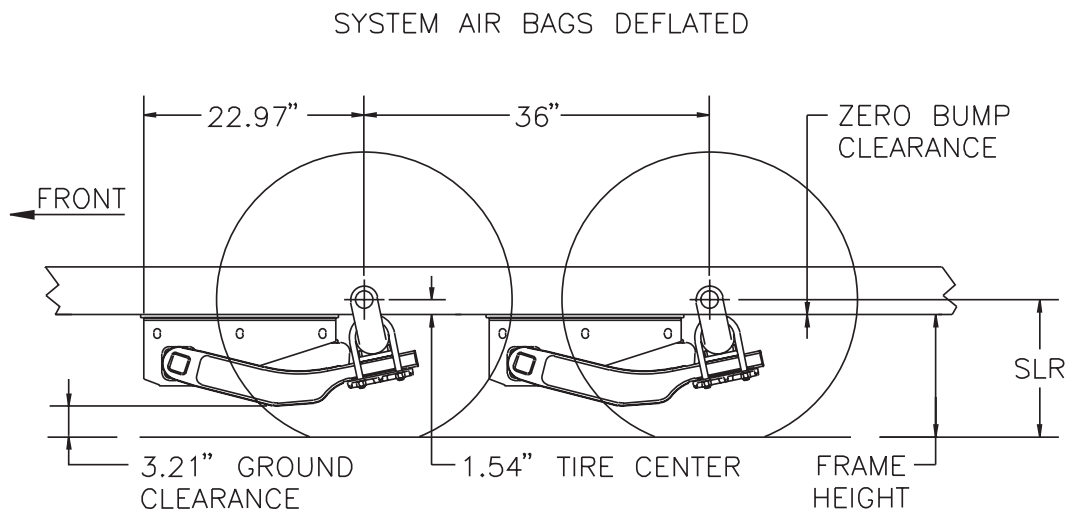
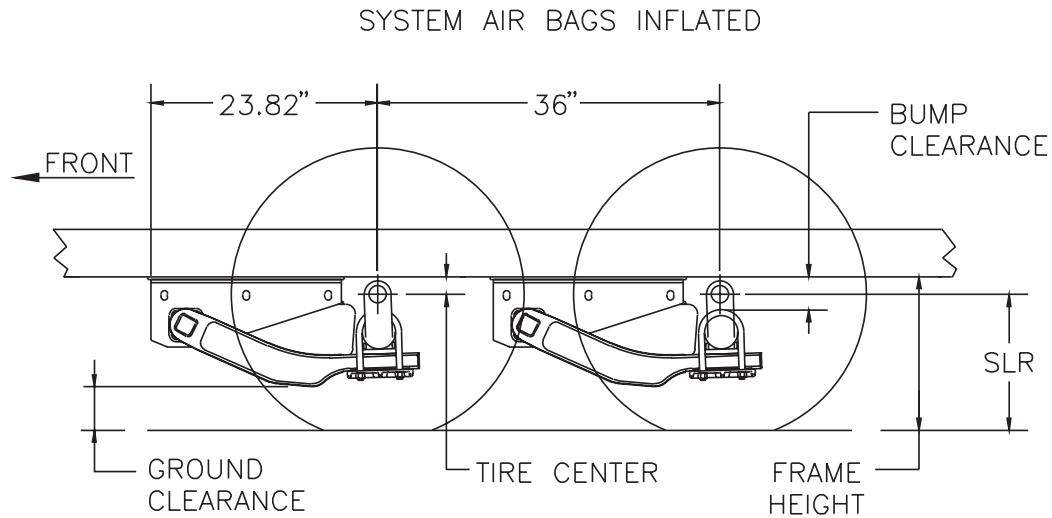
5500 - 7000 LBS. CAPACITY



- Suspension and axle come fully assembled for easy installation
- The suspension maintains a constant trailer floor height regardless of cargo weight
- The suspension isolates the cargo from road shock using air springs and Torflex® technology
- Designed for 6,000 to 8,000 lb. axle capacities
- Adjustable axle seats provided to align axle
- Bolt-on side mount brackets come standard
- Air control kits are available
- Straight, 4" drop, or Nev-R-Lube™ spindle options are available
- Electric drum, hydraulic drum, and hydraulic disc brakes options are available
- 2 year limited warranty on axle and suspension



DEXTER AXLE



SUSPENSION DIMENSIONS

	LT235/85R16 Tire	215/75R17.5HC Tire
Frame Height		
4" drop spindle	16.28"	15.98"
With bags deflated	12.78"	12.48"
Tire Center		
4" drop spindle	1.88"	1.88"
Ground Clearance		
4" drop spindle	4.68"	4.38"
Static Bump Clearance		
4" drop spindle	3.5"	3.5"

All dimensions are with axle loaded to capacity and air bags inflated

For straight spindles add 4" to frame height, tire center, and ground clearance dimensions

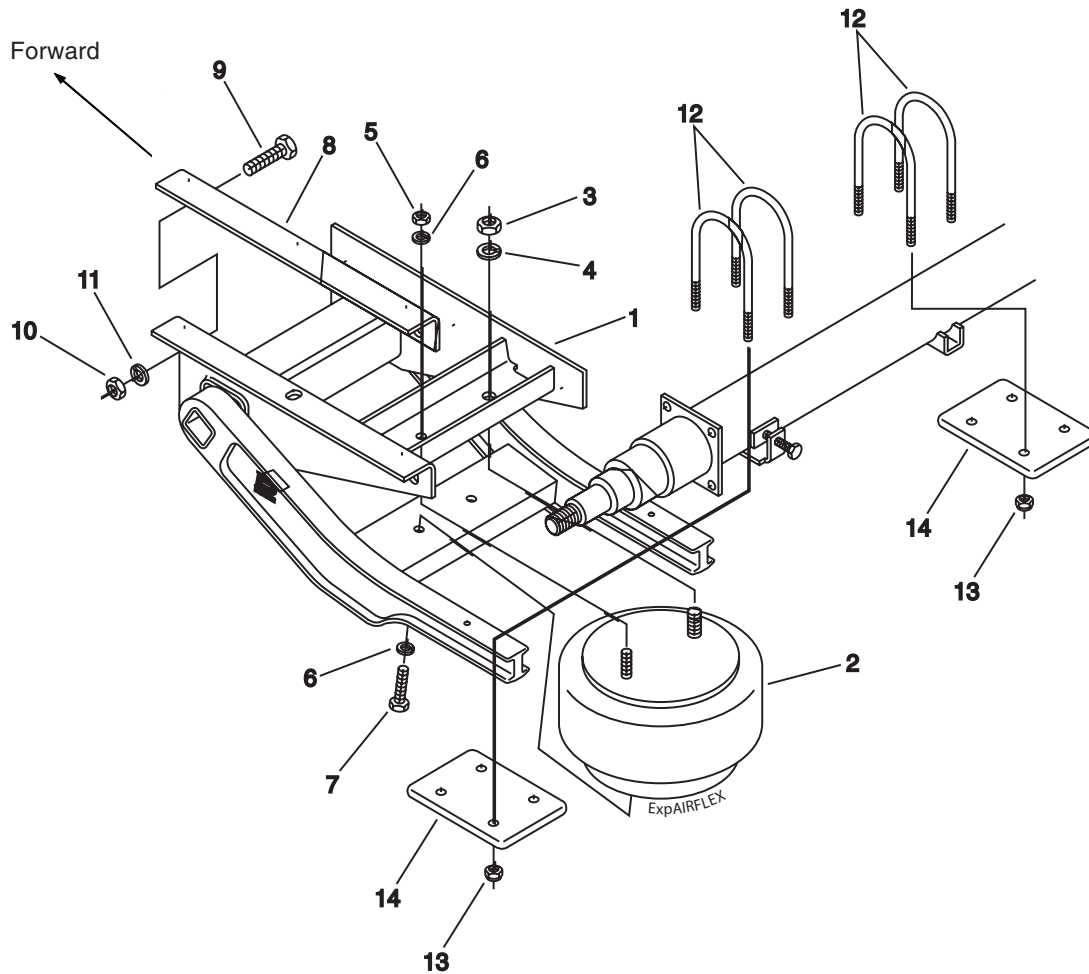
DIFFERENCE BETWEEN HUB FACE AND OUTSIDE MOUNTING BRACKETS

Axle Type	Minimum	Recommended	Maximum
D60-70 Straight	11.50"	14.00"	21.50"
D60-70 Drop	16.50"	16.50"	21.50"

Requires 3.50" diameter x 0.50" wall tubing.

AIRFLEX™ FOR 7,000 LB. AXLES

5500 - 7000 LBS. CAPACITY



AIRFLEX™ SUSPENSION COMPONENTS 7000#

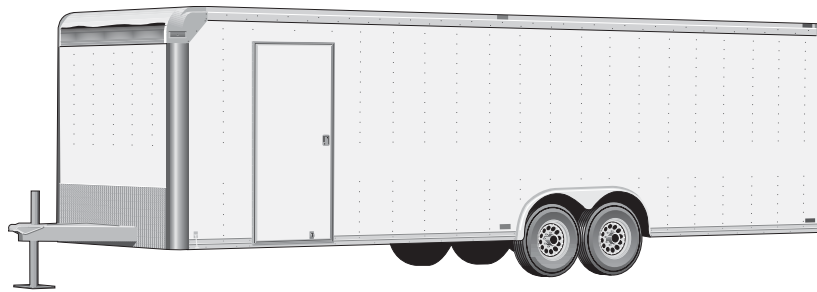
Item	Part No.	Qty/Axle	Description
1	003-272-00	1	LH Suspension Assembly (incl. items #2-11) (shown)
1	003-273-00	1	RH Suspension Assembly (incl. items #2-11)
Air Spring & Mounting Hardware			
2	034-279-00	2	Air Spring
3	006-122-01	2	3/4"-16 Jam Nut
4	005-143-00	2	3/4" Lock Washer
5	006-116-00	2	1/2"-13 Hex Nut
6	005-058-00	6	1/2" Lock Washer
7	007-259-00	4	1/2"-13 Hex Bolt
Suspension Mounting Hardware			
8	003-261-00	2	Side Mount Bracket
9	007-177-00	6	5/8" Mounting Bolt
10	006-126-00	6	3/8" Lock Nut
11	005-111-00	6	5/8" Washer
Axle Attaching Hardware			
12	011-089-01	8	5/8" U-Bolt
13	006-038-00	16	3/8" Lock Nut
14	012-060-02	4	Tie Plate
Air Supply Kits			
ns	K71-632-01	-	Tandem Plumbing Kit with Ride Height Control Valve
ns	K71-632-02	-	Air Generation Kit (includes compressor and tank)
ns	K71-632-03	-	Manual Dump Valve Kit
ns	K71-632-04	-	Tri-Axle Conversion Plumbing Kit

ns - not shown

DEXTER AXLE

AIRFLEX™ LIGHT TRAILER SUSPENSION SYSTEM

8000 LBS. CAPACITY



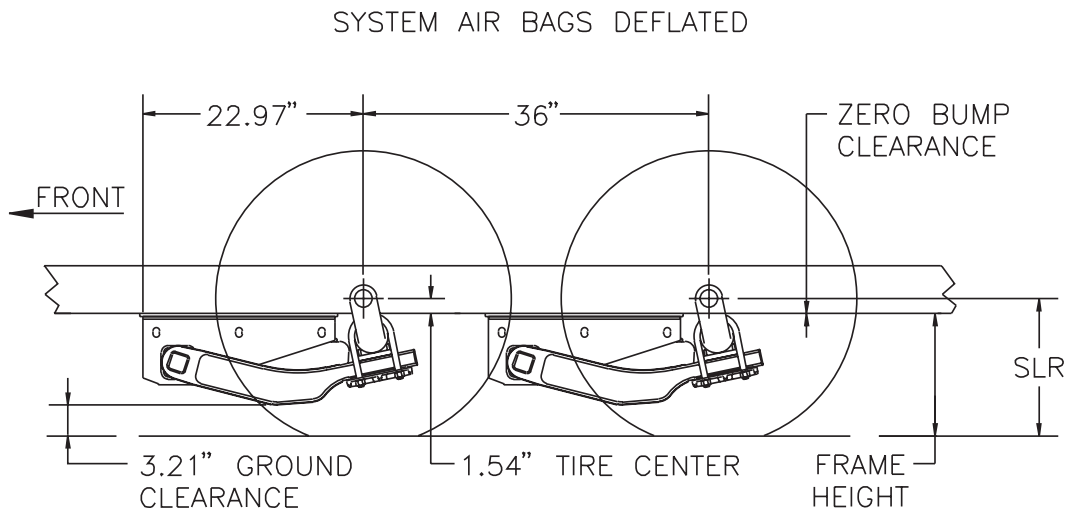
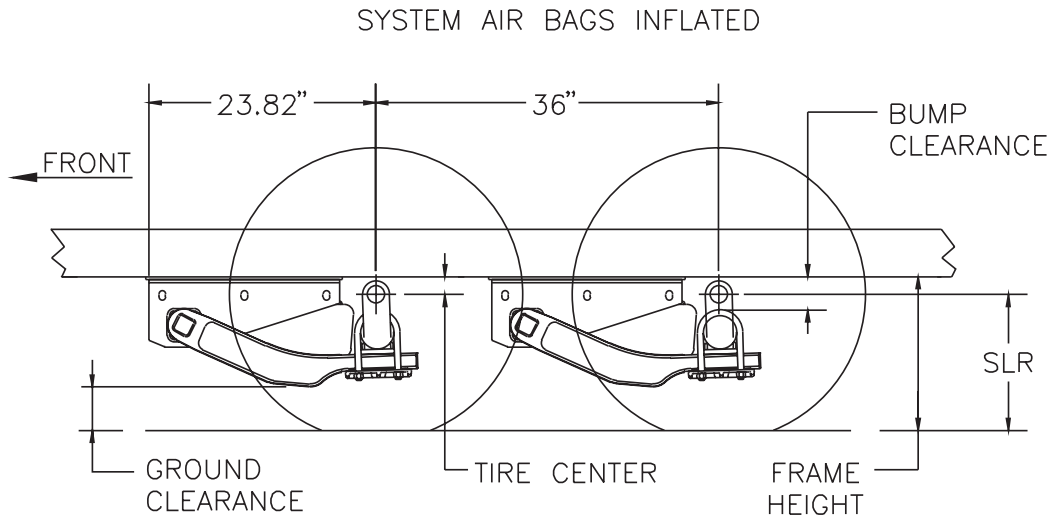
- Suspension and axle come fully assembled for easy installation
- The suspension maintains a constant trailer floor height regardless of cargo weight
- The suspension isolates the cargo from road shock using air springs and Torflex® technology
- Designed for 6,000 to 8,000 lb. axle capacities
- Adjustable axle seats provided to align axle
- Bolt-on side mount brackets come standard
- Air control kits are available
- Straight, 4" drop, or Nev-R-Lube™ spindle options are available
- Electric drum, hydraulic drum, and hydraulic disc brakes options are available
- 2 year limited warranty on axle and suspension



DEXTER AXLE

AIRFLEX™ APPLICATION INFORMATION

8000 LBS. CAPACITY



SUSPENSION DIMENSIONS

	LT235/85R16 Tire	215/75R17.5HC Tire
Frame Height		
4" drop spindle	16.28"	15.98"
With bags deflated	12.78"	12.48"
Tire Center		
4" drop spindle	1.88"	1.88"
Ground Clearance		
4" drop spindle	4.68"	4.38"
Static Bump Clearance		
4" drop spindle	3.5"	3.5"

All dimensions are with axle loaded to capacity and air bags inflated

For straight spindles add 4" to frame height, tire center, and ground clearance dimensions

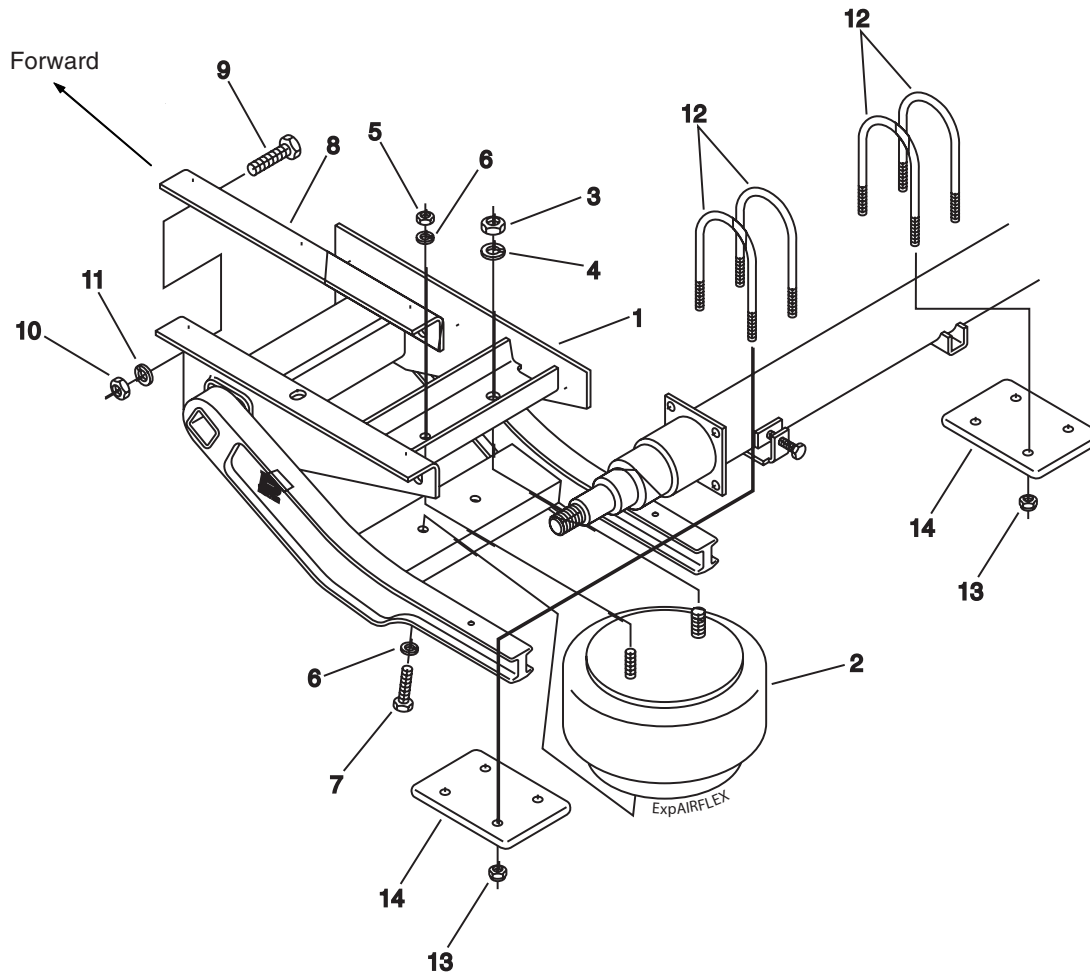
DIFFERENCE BETWEEN HUB FACE AND OUTSIDE MOUNTING BRACKETS

Axle Type	Minimum	Recommended	Maximum
D80 Straight	14.00"	15.50"	17.00"
D80 Drop	16.00"	16.00"	17.00"

DEXTER AXLE

AIRFLEX™ FOR 8,000 LB. AXLES

8000 LBS. CAPACITY



AIRFLEX™ SUSPENSION COMPONENTS 8000#

Item	Part No.	Qty/Axle	Description
1	003-272-00	1	LH Suspension Assembly (incl. items #2-11) (shown)
1	003-273-00	1	RH Suspension Assembly (incl. items #2-11)
Air Spring & Mounting Hardware			
2	034-279-00	2	Air Spring
3	006-122-01	2	3/4"-16 Jam Nut
4	005-143-00	2	3/4" Lock Washer
5	006-116-00	2	1/2"-13 Hex Nut
6	005-058-00	6	1/2" Lock Washer
7	007-259-00	4	1/2"-13 Hex Bolt
Suspension Mounting Hardware			
8	003-261-00	2	Side Mount Bracket
9	007-177-00	6	5/8" Mounting Bolt
10	006-126-00	6	5/8" Lock Nut
11	005-111-00	6	5/8" Washer
Axle Attaching Hardware			
12	011-089-01	8	5/8" U-Bolt
13	006-038-00	16	5/8" Lock Nut
14	012-060-02	4	Tie Plate
Air Supply Kits			
ns	K71-632-01	-	Tandem Plumbing Kit with Ride Height Control Valve
ns	K71-632-02	-	Air Generation Kit (includes compressor and tank)
ns	K71-632-03	-	Manual Dump Valve Kit
ns	K71-632-04	-	Tri-Axle Conversion Plumbing Kit

ns - not shown

DEXTER AXLE